

tyco

Electronics

Energy Division

GILS Gel In-Line Splice Kit

Super-easy, snap-close, gel-filled closure:

Best cold-applied seal:

The GILS gel in-line splice kit offers a state-of-the-art sealed splice for both underground, buried and overhead applications.

PowerGel sealant technology:

The GILS closure, with its revolutionary PowerGel sealing gel, covers and seals the splice quickly and easily, saving both time and effort. PowerGel sealant is rated to 95°C.

Capacity:

The kit's range-taking mechanical connector splices aluminum and copper cables from #2 AWG to 4/0 AWG. Since everything is included in one convenient kit (even the connectors) you will not get caught without all the right equipment.

Easy to install:

Closing the rugged GILS closure is literally a snap. A length of 4.5 inches allows for installation in cramped locations.

Re-enterable:

The GILS closure is simple to re-enter because the PowerGel sealant pulls away leaving a clean connection.

Tools required:

5/16" Allen wrench or a torque wrench and a knife.

Cable size range:

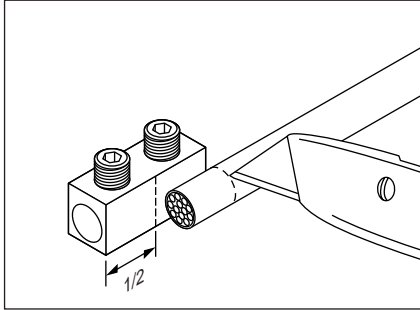
#2 AWG to 4/0 AWG.



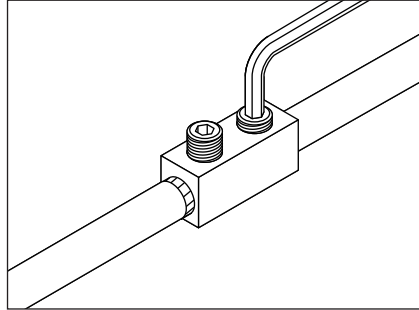
Raychem



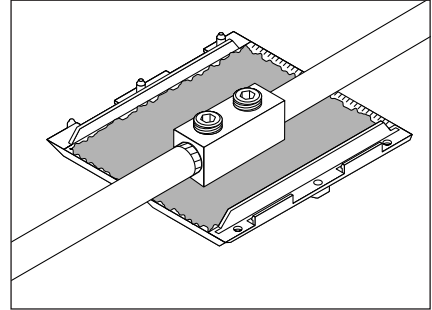
Installation



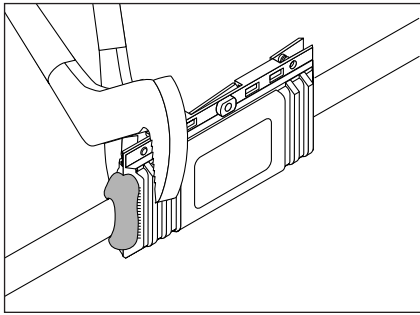
1. Remove insulation equivalent to half the connector length.



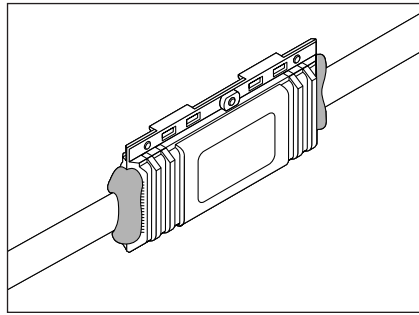
2. a. Insert conductors into connector.
b. Using 1 5/16" Allen wrench, tighten set screws.
c. Torque screws to 275 in-lb.
d. Flex cable.
e. Torque again.



3. Center connector over GILS gel cover.



4. Snap shut both locks. Use pliers, if needed, to close.



5. Completed splice.

Product Selection Guide

Kit* Use Range Recommended Torque
GILS 4/0 #2-4/0 AWG (33-107mm²) 275 in-lb. (31.1 N·m)

Meets requirements of ANSI C119.1

Related Product Information: EDR-5298 (H56594)

Wedge technology products-Electrical connectors-Cable accessories-Overhead conductor hardware-Asset protection-Surge arresters-Insulators-Fittings-Associated tooling

All of the above information, including drawings, illustrations and graphic designs, reflects our present understanding and is to the best of our knowledge and belief correct and reliable. Users, however, should independently evaluate the suitability of each product for the desired application. Under no circumstances does this constitute an assurance of any particular quality or performance. Such an assurance is only provided in the context of our product specifications or explicit contractual arrangements. Our liability for this product is set forth in our standard terms and conditions of sale. Gils and PowerGel are trademarks of Tyco Electronics Corporation

tyco
Electronics

Energy Division
AMP
Dulmison
Raychem
SIMEL

Argentina
Phone: 54-11-4733 2277
Fax: 54-11-4733 2267

Australia
Phone: 61-2-4390 1111
Fax: 61-2-4353 2497

Brazil
Phone: 55-11-861 1311
Fax: 55-11-861 1862

**Tyco Electronics
Raychem**
Energy Division
8000 Purfoy Road
Fuquay-Varina, NC 27526-9349
Phone: 1-800-327-6996
Fax: 1-800-527-8350

Canada
Phone: 1-905-475 6222
Fax: 1-905-470-4453

France
Phone: 33-3-80583200
Fax: 33-3-80341015

Germany
Phone: 49-89-6089-0
Fax: 49-89-6096345

Mexico
Phone: 52-5-729 0405
Fax: 52-5-361-8545

Thailand
Phone: 66-2-7394026 - 32
Fax: 66-2-3260563 - 64